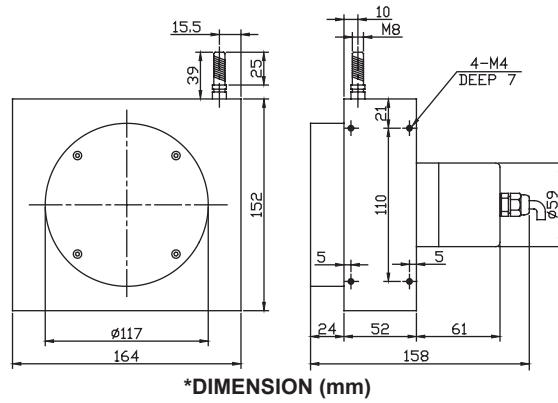
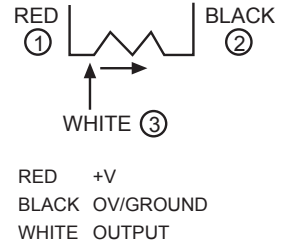


HPS-L-R



*DIMENSION (mm)



*ELECTRICAL CONNECTIONS

◀ LINEAR WIRE POTENTIOMETER ▶

- PRECISION ELECTRIC RESISTANCE SIGNAL OUTPUT
- SUITABLE FOR SHORT TO MEDIUM MEASUREMENT RANGE

ELECTRICAL SPEC.

Full Stroke (mm) 量測行程	3000, 4000, 5000, 6000, 8000
Output Signal Mode 輸出信號模式	Resistance (Potentiometer)
Linearity 線性度	±0.25%FS (standard class); ±0.1%FS (precision class)
Repeatability 重復性	±0.02%FS
Resolution 解析	Essentially infinite
Measurement Wire 線徑規格	Diameter 1.0 mm SUS304 with Nylon - coated
Sensor	Wire-wound and hybrid potentiometer
Starting Torque on Spring 拉力	≤ 2200g
Max. Measuring Wire Velocity (come and go) 最大往復速度	600 mm / sec.
Weight 重量	≤ 3500 g

MECHANICAL SPEC.

Input Resistance 輸入電阻值	5K ohm ±10%FS (standard class), ±5%FS (precision class)
Power Rating (watts)	2 W at 70°C
Recommended Input Voltage 輸入電壓	30V(AC/DC) max., best voltage at 5 ~ 10Vac/dc

ENVIRONMENTAL SPEC.

Operating Temp. / Humidity 操作溫度	0°C ~ +70°C
Storage Temp. 儲存溫度	-20°C ~ +80°C
Vibration 震動	10 Hz to 2000 Hz, 10 g
Protection 保護等級	IP 64 (for pot. housing only)

ORDERING INFORMATION

HPS-L	Measuring Range 量測行程	Signal Mode 信號模式	Life 壽命及線性度
	30: 3000 mm 60: 6000 mm 40: 4000 mm 80: 8000 mm 50: 5000 mm	*R: Resistance 5K ohm	Blank: 1 X 10 ⁶ cycles, linearity 0.25%FS *F: 5 X 10 ⁶ cycles, linearity 0.1%FS