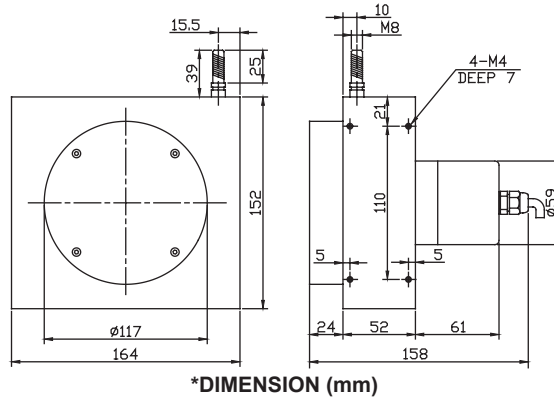
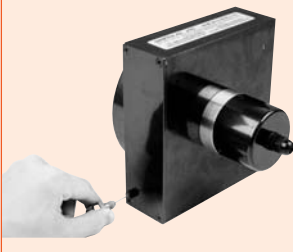


HPS-L-V



*DIMENSION (mm)

RED +V
 BLACK OV/GROUND
 WHITE OUTPUT 0~5V
 RED +V
 BLACK OV/GROUND
 WHITE OUTPUT 0~10V



*ELECTRICAL CONNECTIONS

◀ LINEAR WIRE POTENTIOMETER ▶

- PRECISION ELECTRIC 0-5V AND 0-10V SIGNAL OUTPUT
- SUITABLE FOR LONG MEASUREMENT RANGE

ELECTRICAL SPEC.

Full Stroke (mm) 量測行程	3000, 4000, 5000, 6000, 8000
Output Signal Mode 輸出信號模式	0~5 Vdc or 0~10 Vdc
Linearity 線性度	±0.3%FS (standard class); ±0.15%FS (precision class)
Repeatability 重復性	±0.05%FS
Resolution 解析	Essentially infinite
Measurement Wire 線徑規格	Diameter 1.0 mm SUS304 with Nylon - coated
Sensor	Wire-wound and hybrid potentiometer
Starting Torque on Spring 拉力	≤ 2200g
Max. Measuring Wire Velocity (come and go) 最大往復速度	600 mm / sec.
Weight 重量	≤ 3500 g

MECHANICAL SPEC.

Input Power 供應電壓	10-30Vdc for 0-5 volt output, 15-30Vdc for 0-10 volt output
Input Current 供應電流	10 mA max.
Zero and Span Adjustment	Please consult us.

ENVIRONMENTAL SPEC.

Operating Temp. / Humidity 操作溫度	0°C ~ +50°C
Storage Temp. 儲存溫度	-20°C ~ +80°C
Vibration 震動	10 Hz to 2000 Hz, 10 g
Protection 保護等級	IP 64 (for pot. housing only)

ORDERING INFORMATION

HPS-L -	Measuring Range 量測行程	Signal Mode 信號模式	Life 壽命及線性度
	30: 3000 mm 60: 6000 mm	*5V: 0-5Vdc	Blank: 1 X 10 ⁶ cycles, linearity 0.3%FS
	40: 4000 mm 80: 8000 mm	*10V: 0-10Vdc	*F: 5 X 10 ⁶ cycles, linearity 0.15%FS
	50: 5000 mm		