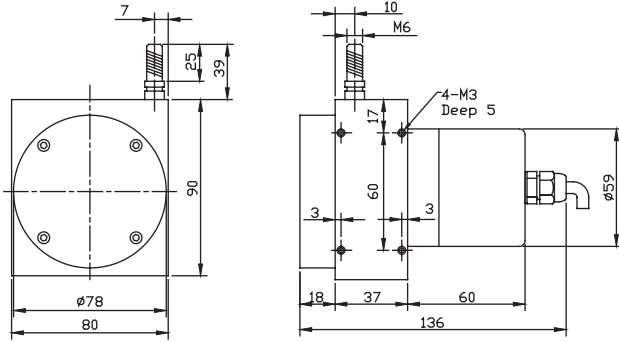
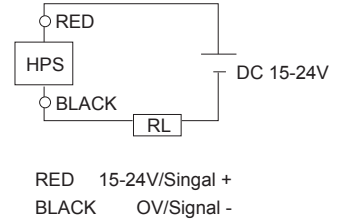


HPS-M-MA



*DIMENSION (mm)



*ELECTRICAL CONNECTIONS

◀ LINEAR WIRE POTENTIOMETER ▶

- PRECISION ANALOG CURRENT 4-20mA SIGNAL OUTPUT
- SUITABLE FOR SHORT TO MEDIUM MEASUREMENT RANGE

ELECTRICAL SPEC.

Full Stroke (mm) 量測行程	500, 750, 1000, 1250, 1500, 2000
Output Signal Mode 輸出信號模式	4-20mA (2 wires)
Linearity 線性度	±0.3%FS (standard class); ±0.15%FS (precision class)
Repeatability 重復性	±0.05%FS
Resolution 解析	Essentially infinite
Measurement Wire 線徑規格	(stroke ≤ 1250 mm) Diameter 0.6 mm SUS304 with Nylon - coated (stroke ≥ 1500 mm) Diameter 0.7 mm SUS304 with Nylon - coated
Sensor	Wire-wound and hybrid potentiometer
Starting Torque on Spring 拉力	(stroke 0 ~ 1250 mm) 600 g; (stroke over 1500) 1000g max.
Max. Measuring Wire Velocity (come and go) 最大往復速度	1000 mm / sec.
Weight 重量	≤ 1000 g

MECHANICAL SPEC.

Input Power 供應電壓	15-24Vdc ±20%
Input Current 供應電流	20 mA max.
Loop Resistance (load)	(loop supply voltage - 12) / 0.02 max.
Zero and Span Adjustment	Please consult us.

ENVIRONMENTAL SPEC.

Operating Temp. 操作溫度	0°C ~ +50°C
Storage Temp. 儲存溫度	-20°C ~ +80°C
Vibration 震動	10 Hz to 2000 Hz, 10 g
Protection 保護等級	IP 64 (for pot. housing only)

ORDERING INFORMATION

HPS-M	Measuring Range 量測行程	Signal Mode 信號模式	Life 壽命及線性度
	05: 500 mm 125: 1250 mm 075: 750 mm 15: 1500 mm 10: 1000 mm 20: 2000 mm	*420: 4-20mA	Blank: 1 X 10 ⁶ cycles, linearity 0.3%FS *F: 5 X 10 ⁶ cycles, linearity 0.15%FS